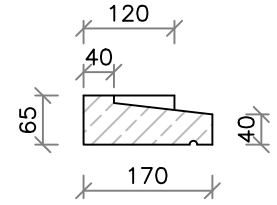
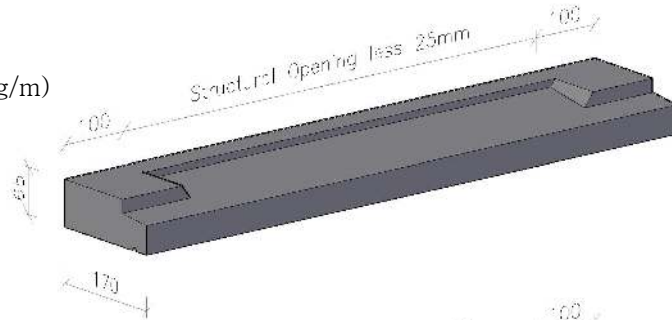


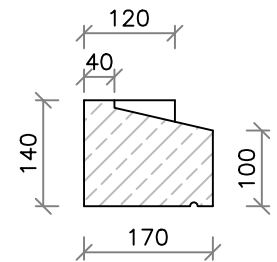
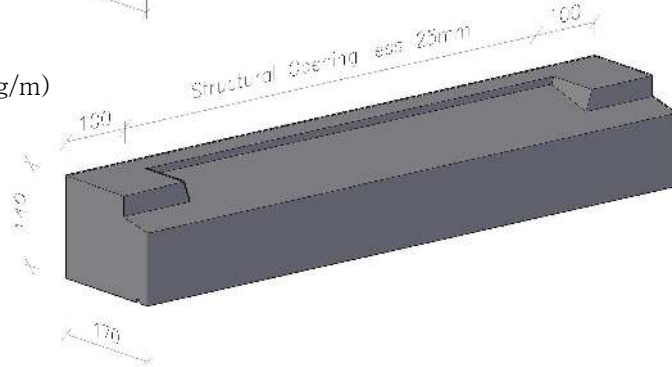
Max length of C1R units are 900mm and C2R to C5R units are 1400mm. Longer units will be manufactured in manageable pieces to suit.

Stool sizes can be adjusted if needed.

C1R Style (18kg/m)

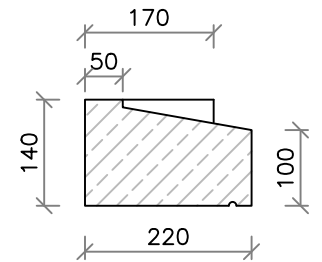
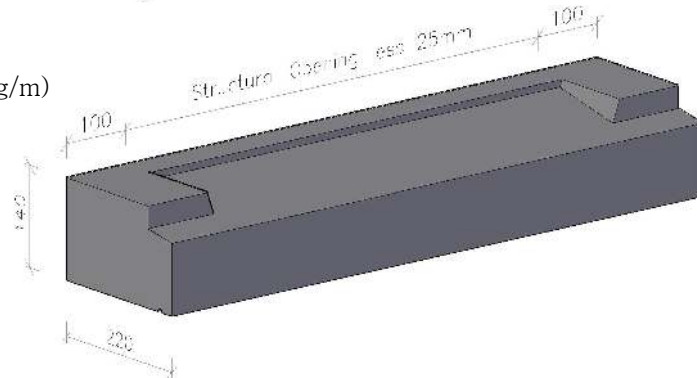


C2R Style (43kg/m)



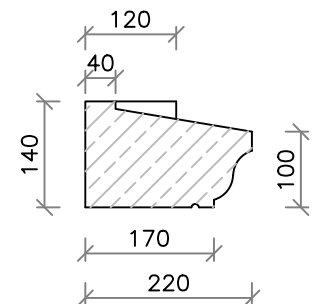
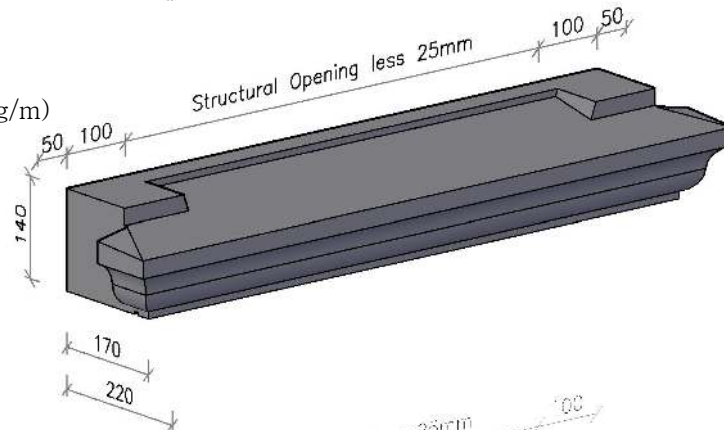
C3R Style (56kg/m)

(Ideal for Sash Windows)



C4R Style (51kg/m)

(Georgian Style)



C5R Style (43kg/m)

