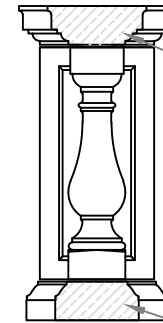
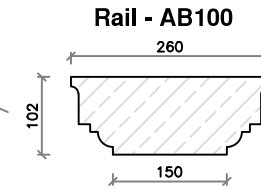


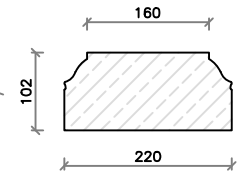
Side Run-in



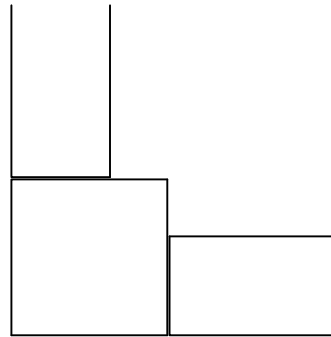
Centre Run-in



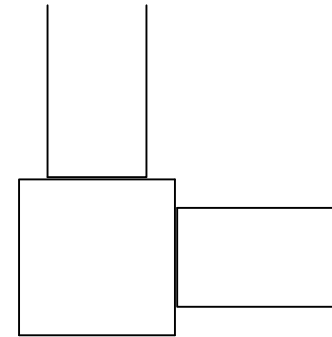
Rail - AB100



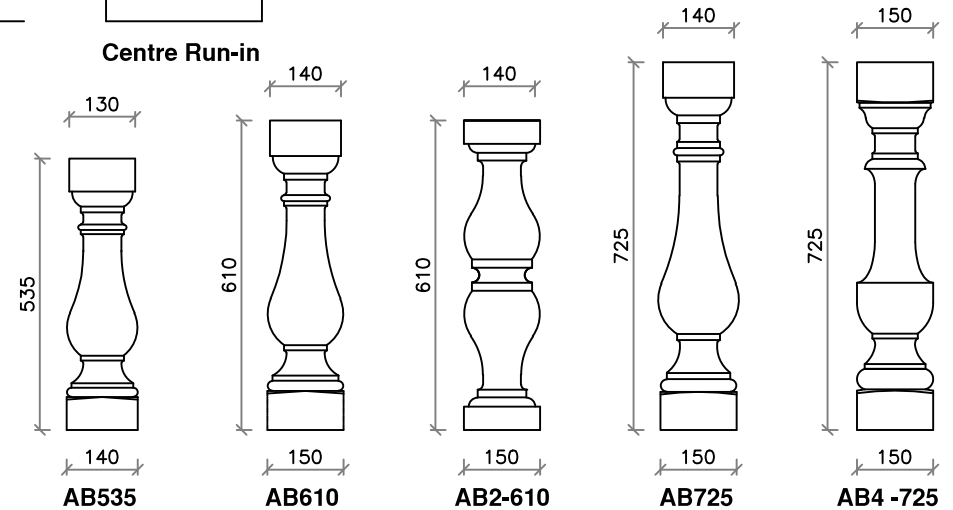
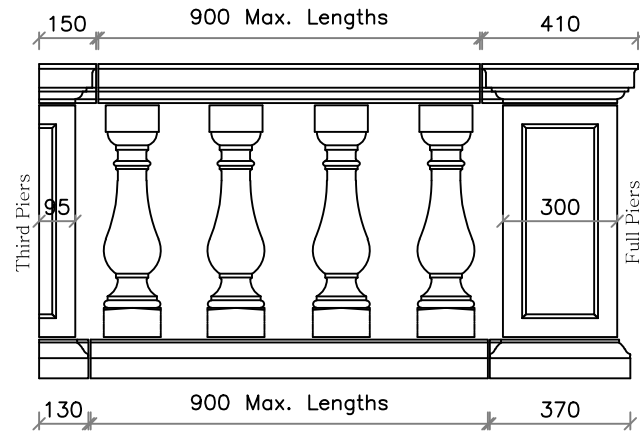
Plinth - AB110



Side Run-in



Centre Run-in

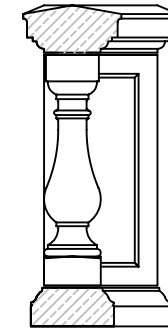
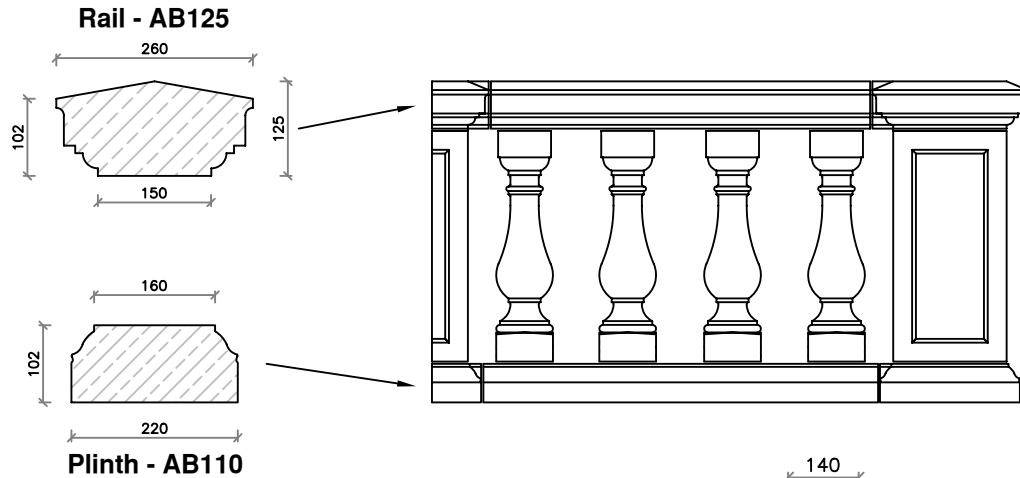


# ACANTHUS

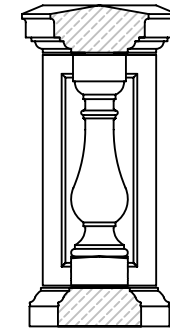
cast stone products

## DEVONSHIRE BALUSTRADE APEX RAIL SHALLOW PLINTH

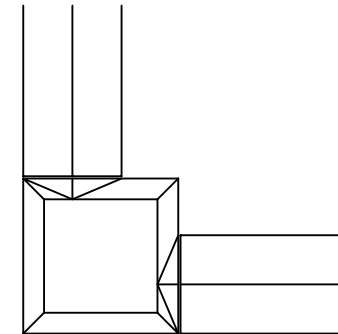
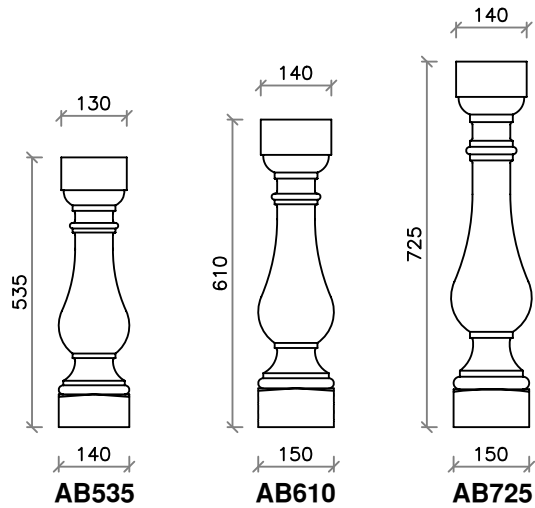
custom made items also available



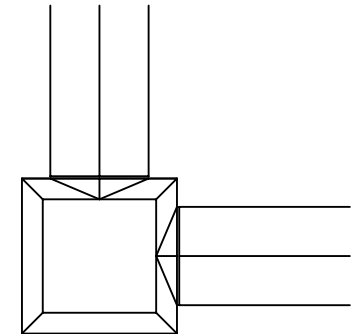
**Side Run-in**



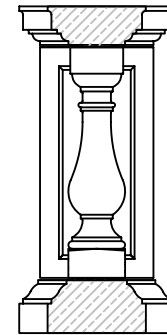
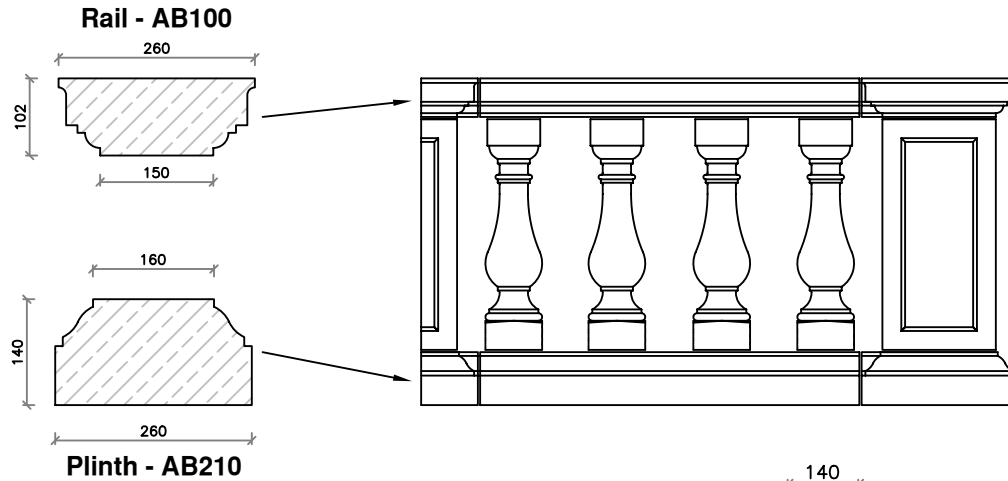
**Centre Run-in**



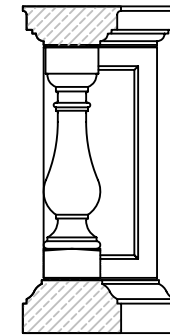
**Side Run-in**



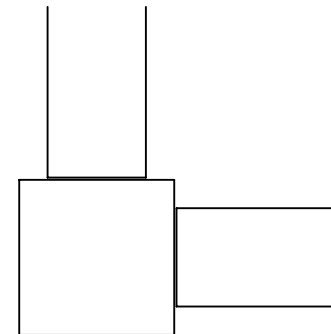
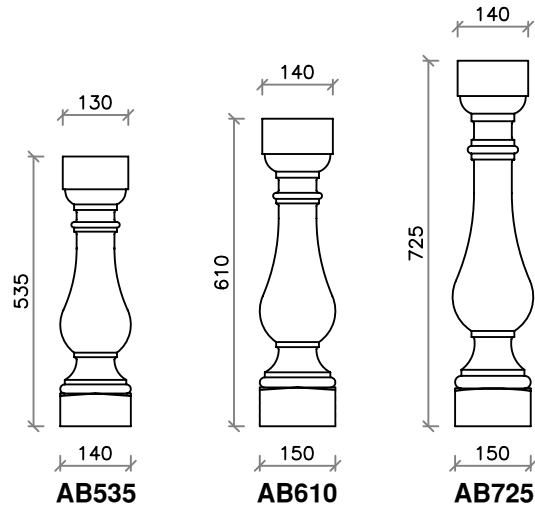
**Centre Run-in**



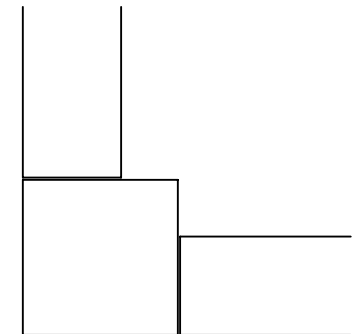
**Centre Run-in**



**Side Run-in**



**Centre Run-in**



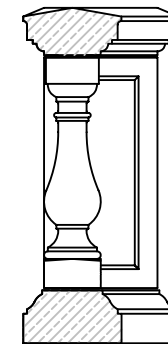
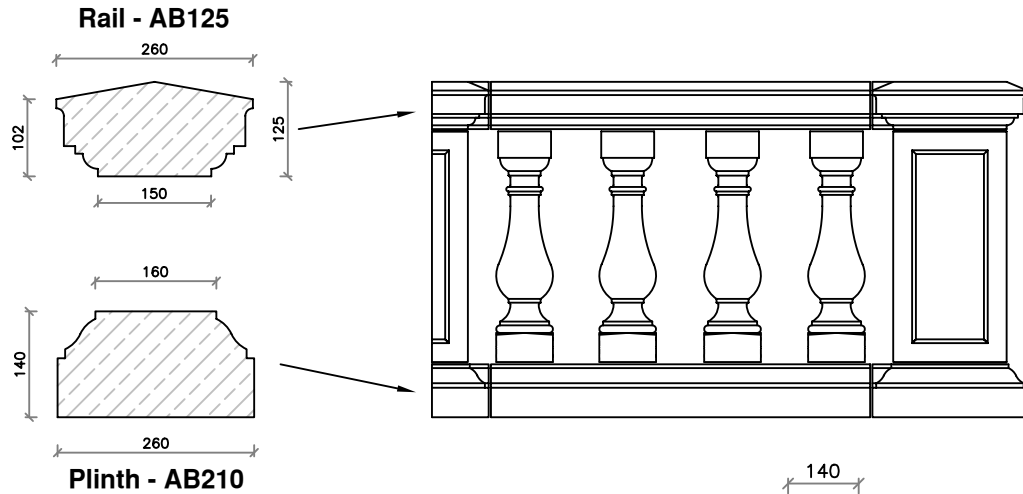
**Side Run-in**

# ACANTHUS

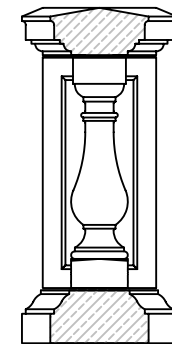
cast stone products

## DEVONSHIRE BALUSTRADE APEX RAIL DEEP PLINTH

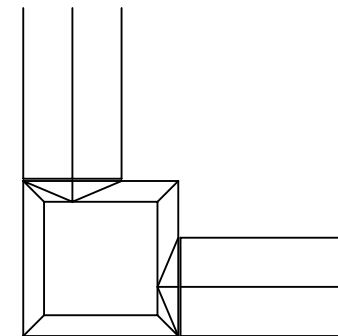
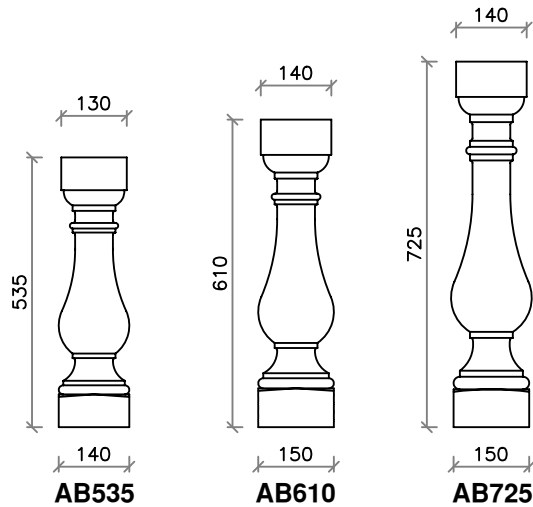
custom made items also available



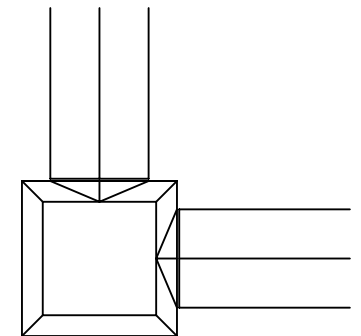
**Side Run-in**



**Centre Run-in**



**Side Run-in**



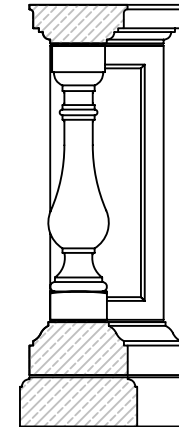
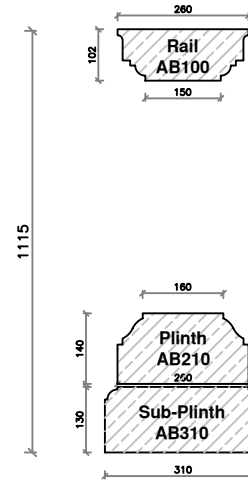
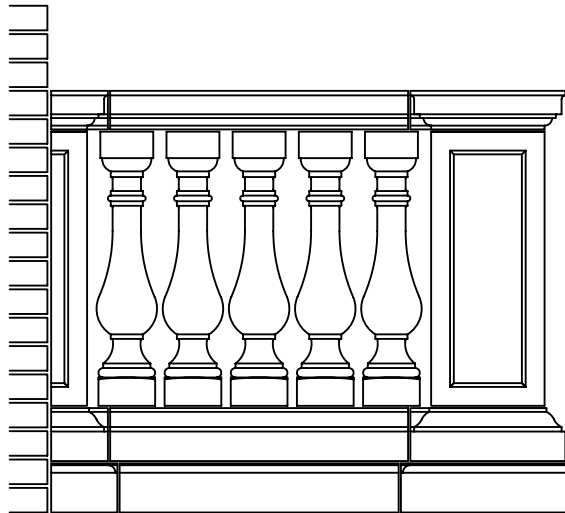
**Centre Run-in**

# ACANTHUS

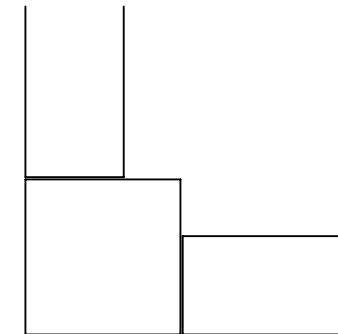
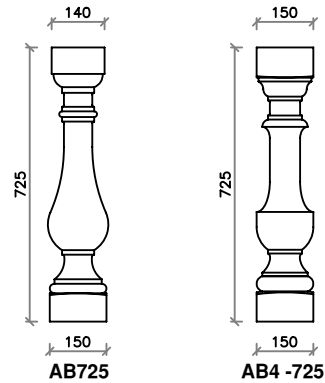
cast stone products

## BALUSTRADE TO COMPLY WITH BUILDING REGS

custom made items also available



Side Run-in



Side Run-in