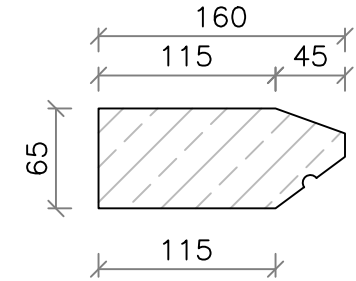
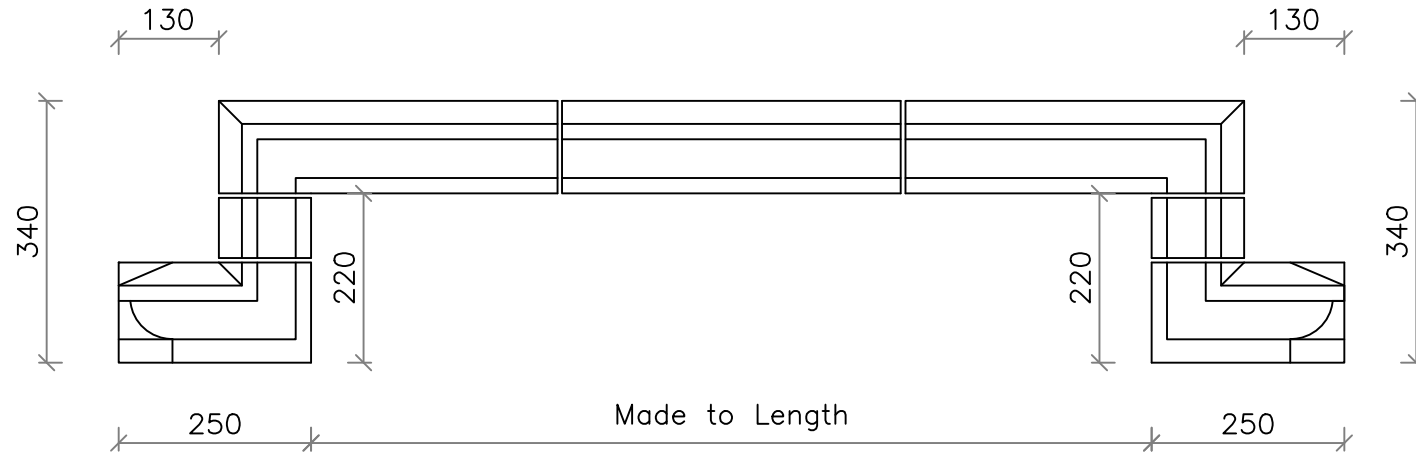


LM1 (19kg/m)

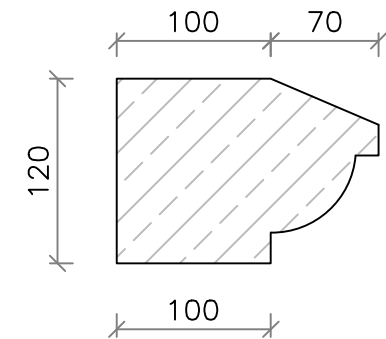


Typical Section

6mm joints allowed for



LM2 (35kg/m)



Typical Section