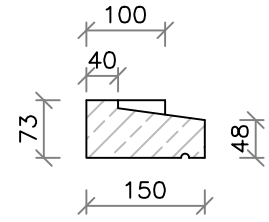
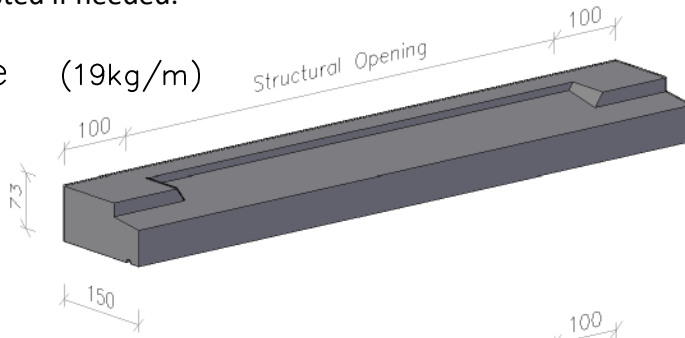


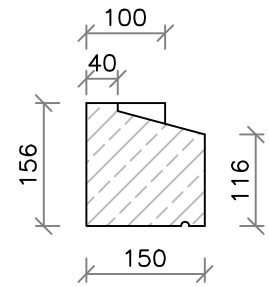
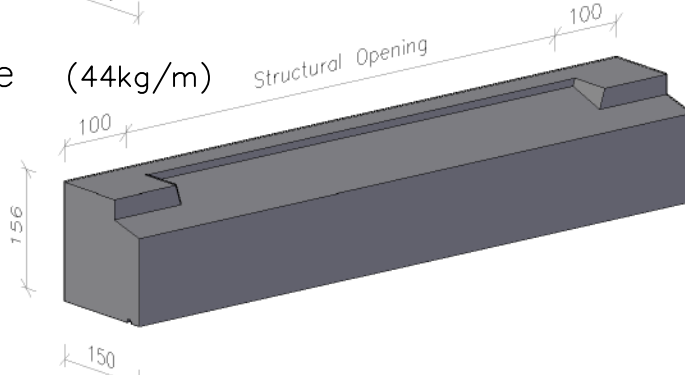
Max length of C1-Imp units are 600mm and C2-Imp to C5-Imp units are 1200mm. Longer units will be manufactured in manageable pieces to suit.

Stool sizes can be adjusted if needed.

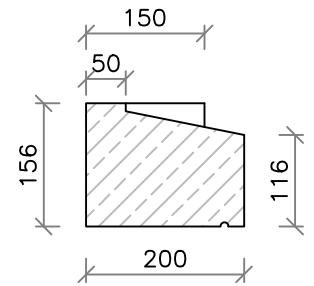
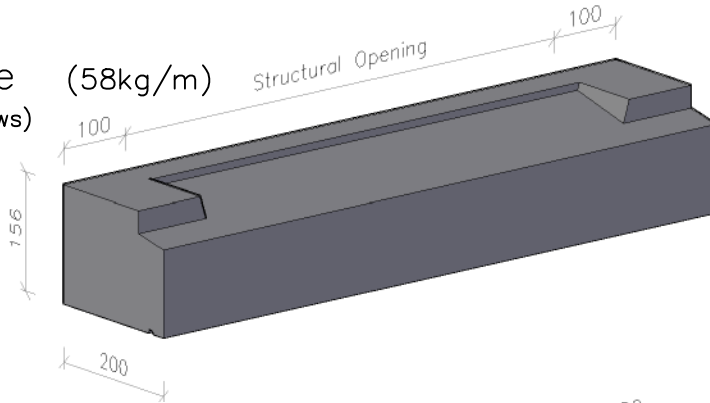
C1-Imp Style (19kg/m)



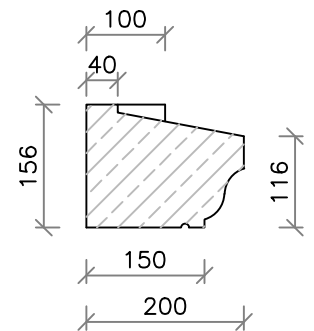
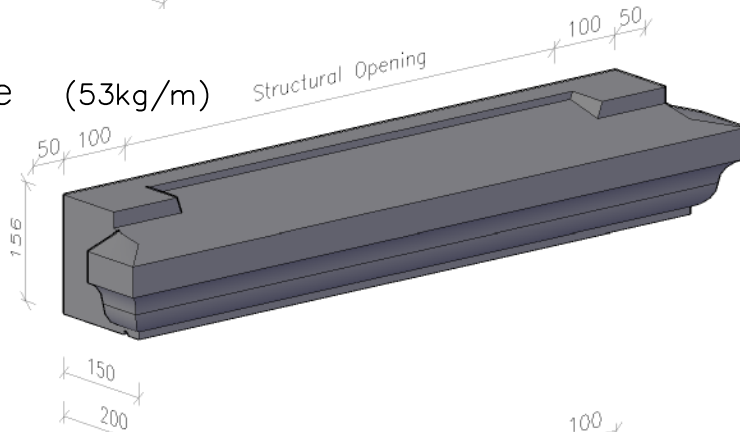
C2-Imp Style (44kg/m)



C3-Imp Style (58kg/m)  
(Ideal for Sash Windows)



C4-Imp Style (53kg/m)  
(Georgian Style)



C5-Imp Style (44kg/m)

